

# ML22T

DIGITAL PODIUM





- 1 - Sliding top platform
- 2 - Power 220V AC
- 3 - Wireless Charger
- 4 - Type-C
- 5 - Cable Retractor
- 6 - RJ45
- 7 - USB 2.0
- 8 - PC On/Off
- 9 - 22" Multi Touch Screen
- 10 - Creapen Annotation Software
- 11 - Shock Mount
- 12 - 18" Microphones
- 13 - Clock & Timer
- 14 - Mouse



ML22T covers your professional presentation requirements and complex needs with its complete solutions. Sliding top panel both protects your touch display and becomes a platform for your documents, laptop.

Multi-purpose complete connector pannels give ability to access to power, external protector and display decives, Speakers can convey their voice through meetings rooms, and lecture halls It is equipped with personal computer with the ML22T which has a wide body large enough to be able to harbor all types of sound and imaging devices and a frond and back services cover, you can gather all your conference devices into one place without needing an external space

## ML22T

	ML22T
Multi touch speaker screen	22"
Player PC : Intel 4,10 GHz CPU, 120 GB SSD Windows 11 Pro	✓
Switch & Scalar (HDMI & TYPE-C)	✓
Microphone	✓
5" Digital Touch Timer	✓
Creapen Annotation Software	✓
Stereo Amplifier	Optional
Speakers	Optional

# Speaker Screen

■ 22" iiyama



22" 10 point touch monitor with edge-to-edge glass and AMVA panel

With its Full HD (1920x1080) resolution and accurate Projective Capacitive 10 point touch technology, the ProLite T22 delivers seamless and accurate touch response.

The AMVA panel technology guarantees high performance with excellent colour reproduction and high contrast, making it an excellent choice for a vast array of demanding interactive applications.

## Touch Technology



This technology uses a sensor-grid of micro-fine wires integrated into the glass that covers the screen. Touch is detected because electrical characteristics of the sensor grid change when human finger is placed on the glass. Thanks to the glass overlay this technology is highly durable, and the touch function remains unaffected even if the glass is scratched.

It offers perfect picture performance and will work with human finger (also latex gloved) and stylus-pen.

Specifications	
Diagonal	21.5"; 55cm
Aspect Ratio	16 : 9
Panel Amva	LED
Native Resolution	Full HD 1080p, 1920 x 1080 ( 2.1 megapixel)
Brightness	250 cd/m <sup>2</sup> typical
Brightness	215 cd/m <sup>2</sup> with touch panel
Advanced Contrast	12 000 000 : 1 ACR
Static Contrast	3 000 : 1 with touch panel
Response Time	8 ms
Viewing Zone	horizontal/vertical: 178°/ 178°; right/left: 89°/ 89°; up/down: 89°/ 89°
Display Colour	16.7 million
Blue Light Reducer	yes
Touch Technology	projective capacitive
Touch Points	10
Glass Hardness	7H minimum
Light Transmittance	85%
Display Area	H X W 268.1 x 476.6 mm; 10.6" x 18.8 "
Pixel Pitch	H X V 0.248 x 0.248 mm
Horizontal Sync	30 - 80 KHz
Vertical Sync	56 - 75 Hz
Synchronization	Separate Sync
INTERFACES / CONNECTORS / CONTROLLERS	
Analog Input Connector	VGA
Digital Input Connector	DVI, HDMI
USB HUB	UP 1 x USB 3.0 / DOWN 4 x USB 3.0
Controls	USB (touch), USB 3.0

# Switch & Scaler

## ■ 3x2 4K HDMI and USB-C Scaled Out Matrix

### Front Panel



### Rear Panel



This 3x2 matrix switch is designed for a wide range of flexibility when it comes to inputs, outputs, and control. The two most common video input interfaces (HDMI, USB-C) are included along with a pair of HDMI outputs and a single analog audio breakout port, providing the ultimate in source compatibility and flexibility.

All inputs and outputs are HDCP 2.2 compliant and provide support for resolutions up to a maximum of 4K@60Hz (4:4:4, 8-bit or 4:2:0, 12-bit HDR). The included USB-C input complies with the USB 3.0 standard and supports audio/video bypass, and device charging, as well as the ability to provide a network connection.

This matrix also includes standard USB 3.0 hub functionality with two host ports (one Type-B and one Type-C), plus two device ports (Type-A) for a flexible KVM configuration.

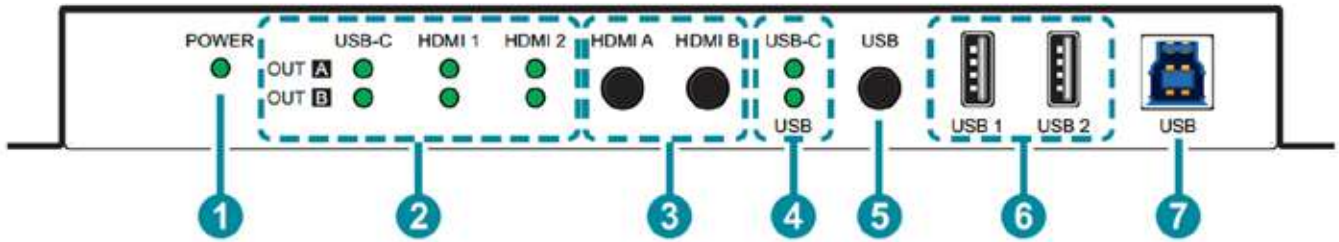
### Features

- HDMI 2.0 and DVI 1.0 compliant
- HDCP 1.x and 2.2 compliant
- 1 USB Type-C and 2 HDMI inputs
- 2 HDMI outputs with independent matrix switching and auto-switch support
- Supports up to 4K UHD (18Gbps, 4K@60Hz 4:4:4, 8-bit) video input and output
- Supports Deep Color input and output up to 12-bit
- Supports 10-bit and 12-bit HDR (High Dynamic Range) input/output
- Supports pass-through of many audio formats including 8 channel LPCM, Bitstream, and HD Bitstream
- HDMI Output A supports 4K to 1080p downscaling
- USB-C port functionality is switchable between a A/V focused mode
- (4K@60Hz) with USB 2.0 data and a mixed media mode with simultaneous A/V (4K@30Hz), USB 3.0, and Ethernet support
- USB-C port provides up to 20V/3A (60W) power to the connected device
- Supports pass-through of 8 channel LPCM, bitstream & HD bitstream audio formats
- Analog audio output source audio can be from output A or B (LPCM 2.0 sources only)
- Integrated USB 3.0 hub with one dedicated Type-B host port and two Type-A device ports
- Supports basic signal event automation (via RS-232, Ethernet, or CEC)
- Controllable via front panel 5" Timer screen

# Switch & Scaler

## ■ Operation Controls and Functions

### Front Panel



**1-POWER LED:** This LED will illuminate to indicate the unit is on and receiving power.

**2-OUT A & B LEDs:** The illuminated LED indicates which source is currently selected for each output.

**3-HDMI A & HDMI B Buttons:** Press either button to sequentially switch through the available inputs for the associated HDMI output.  
EGE-UHD-332C 3x2 4K HDMI and USB-C Scaled Out Matrix

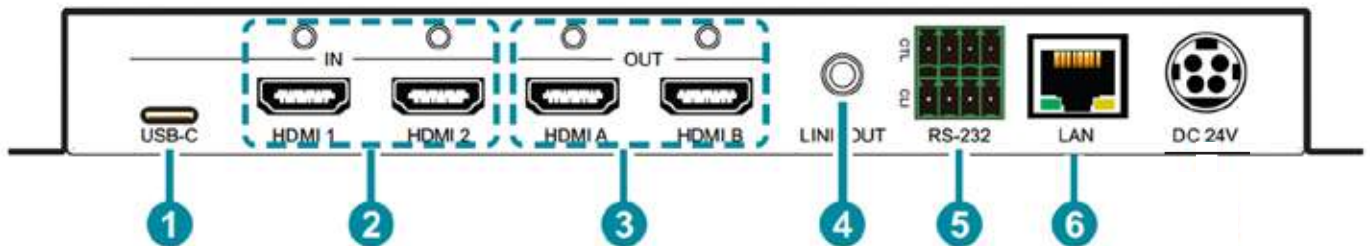
**4-USB-C & USB LEDs:** The illuminated LED indicates which USB host port is currently active.

**5-USB Button:** Press this button to select which USB host port is currently active. "USB" selects the USB Type-B port on the front of the unit,

**6-USB 1 & 2 Device Ports (Type-A):** Connect directly to standard USB devices such as a mouse, keyboard or flash drive to extend their USB functionality to the currently active USB host port.

**7-USB Host Port (Type-B):** Connect directly to a standard USB host such as a PC or laptop to extend their USB functionality to all currently connected USB devices.

### Rear Panel



**1-USB-C IN Port:** Connect to USB Type-C host or video source equipment such as a PC or laptop. When the USB-C port has "Super Speed" support active, this port can support 4K30 A/V, Ethernet, and USB simultaneously. When "Super Speed" is disabled, this port will support full bandwidth 4K60A/V content but USB data functionality will be limited to USB 2.0 levels.

**2- HDMI IN 1 & 2 Ports:** Connect to HDMI source equipment such as media players, game consoles, or set-top boxes. DVI sources are supported with the use of an HDMI to DVI adapter.

**3- HDMI OUT A & B Ports:** Connect to HDMI TVs, monitors, or amplifiers for digital video and audio output.

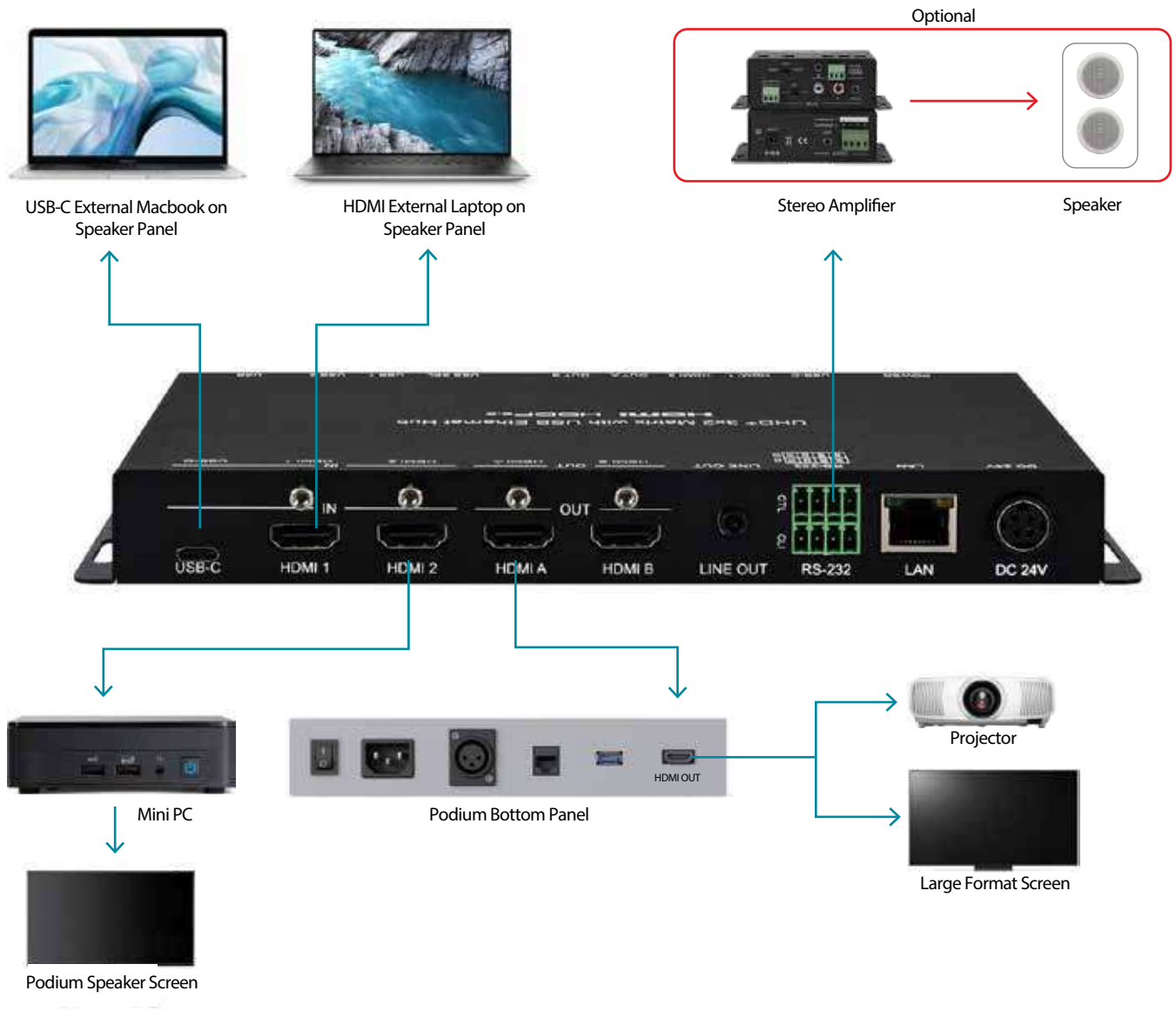
**4- LINE OUT Port:** Connect to powered speakers, headphones, or an amplifier for analog stereo audio output extracted from the selected HDMI output (LPCM 2.0 sources only).

**5- RS-232 CTL 4-pin Terminal Block:** Connect to the device you wish to control via a 3-pin adapter cable to receive event automation RS-232 commands from the unit.

**6- LAN Port:** Connect directly, or through a network switch, to your PC/laptop to control the unit via Telnet/WebGUI and to extend the network across the USB Type-B and Type-C ports.

# Switch & Scaler

## ■ Connection Diagram



## ■ Digital Source Selection Diagram

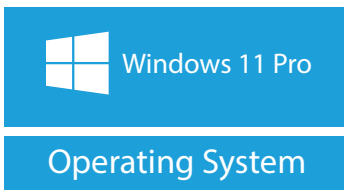




FRONT



BACK



Specifications	
Operating System	Windows 10 Pro
CPU	Intel® Pentium® Gold G6405 Processor 4.1GHz (4M Cache)
Chipset	Intel B560
Graphics	Integrated - Intel HD Graphics
Memory	DRAM MODULE(DDR4)/3200/4G
Storage	128GB M.2 NVMe™ PCIe® 3.0 SSD
Wireless Data Network	Wi-Fi 6, Bluetooth 5.0, 2*2
LAN	10/100/1000 Mbps, Intel LAN
Side(Front) I/O Ports	4 x USB 3.2 Gen2 Type-A (1 w/QC), 1 x USB 3.2 Gen1 Type-C, 2 x Audio Jacks(optional)
Back I/O Ports	1x USB3.2 Gen1 Type-A, 2x USB2.0, 1x RJ45 LAN, 2x Display Port 1.2, 1x configurable ports (HDMI 2.0/VGA/COM/DP/LAN), 1x Kensington lock, 1x DC-in
Power Supply	150W - 19Vdc, 4.74A, 90W Power Adapter
Dimensions (W x D x H)	175 x 175 x 44.2 mm
Weight	1.3KG (HDD included)
Color	Black
Accessories	USB Keyboard & Mouse
Certificates	BSMI/CB/CE/FCC/UL/CCC/Energy Star/C-Tick/WiFi/RF/VCCI

# Microphone

## Shure I8 CVGI8S-B Microphone



Designed with dual gooseneck sections for full articulation, the CVGI8 provide scalable, best-in-class performance in a wide variety of locations.

### Features

- Cardioid polar pattern with tailored response for speech
- Dual-section gooseneck enables ease of positioning and placement options
- Included Flange Mount and available snap-fit windscreens (ACVG4WS-B – 4 pack)
- With Mute switch/LED,
- Guards against unwanted RF Interference from portable wireless devices gh resistance to intense nearby radio signals
- Superior Shure design and rugged, dependable construction
- Noise by up to 20 dB.

### Specifications

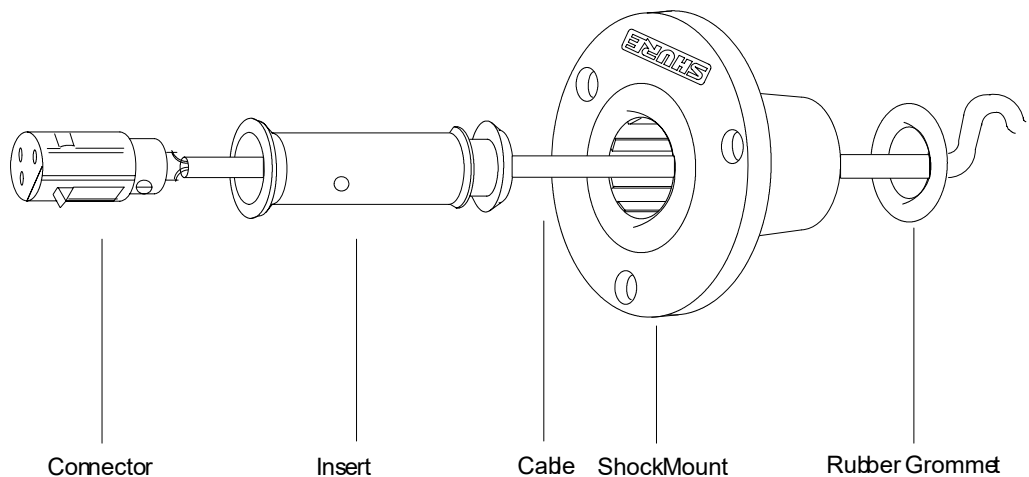
Cartridge Type	Electret Condenser	Electret Condenser
Frequency Response		70–16000 Hz
Polar Pattern		Cardioid
Output Impedance		180 Ω
Sensitivity (at 1 kHz , open circuit voltage)		–33 dBV/Pa[1] (22 mV)
Maximum SPL (1 kHz at 1% THD)		120 dB SPL
Signal to Noise Ratio (referenced at 94 dB SPL)		67 dB
Dynamic Range		93 dB
Self Noise (equivalent SPL, A-weighted, typical)		27 dB SPL
Common Mode Rejection (10 Hz to 100 kHz)		45 dB
Preamplifier Output Clipping Level (1% THD)		–7 dBV
Polarity		3
Power Requirements		11–52 V DC[4], 2.0 mA



## Shure A400SMXLR Shock Mount

### Shure A400SMXLR Shock Mount Socket

A400SMXLR Shock Mount decouples a microphone from the mounting surface and reduces transmission of impact or surface



## ■ Wireless Charger



Wireless Charger will make your presentation easier with its practical structure and stylish design on the podium speakerpanel. It combines all the features you need with its 15W Fast Charge feature, Type-C and USB 3.0 ports and a waterproof silicone cover



### Effortless Charging:

Bid farewell to the hassle of cables and outlets. Integrated wireless charger ensures that your devices stay powered up throughout your presentation, providing a seamless experience for both you and your audience.



### Versatile Compatibility:

Compatible with a wide range of devices, our wireless charger supports the latest smartphones, tablets, and other Qi-enabled gadgets.



### Stay Connected:

Keep your devices charged and your audience engaged. Whether you're delivering a keynote, facilitating a workshop, or hosting a virtual meeting, our wireless charger ensures that you're always connected and ready to share your insights without interruptions.

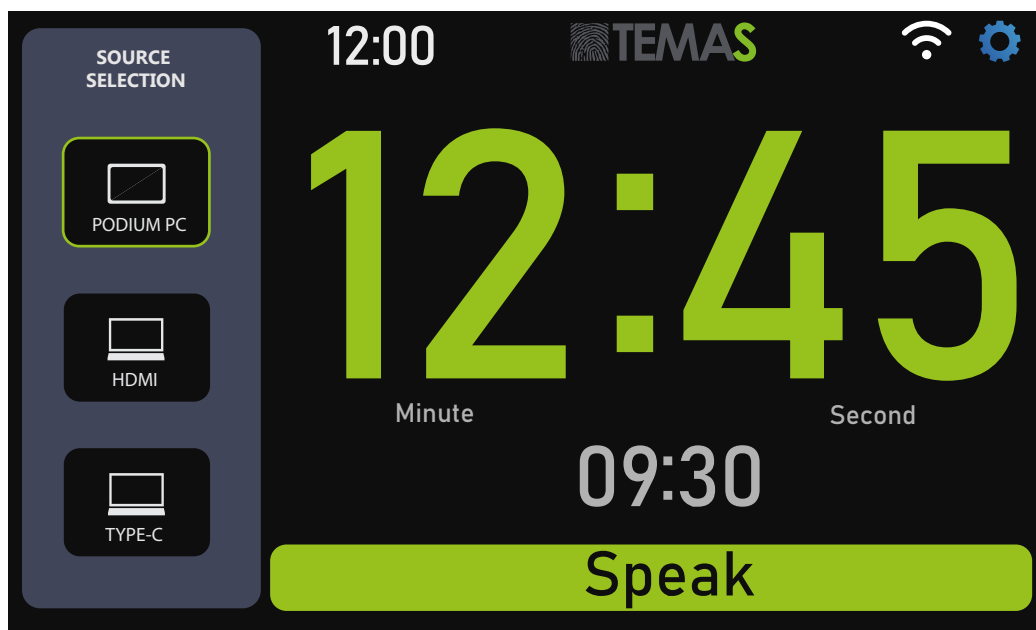


### Stylish Design:

The speaker panel serves as a charging station, adding both functionality and aesthetic appeal to your presentation setup.

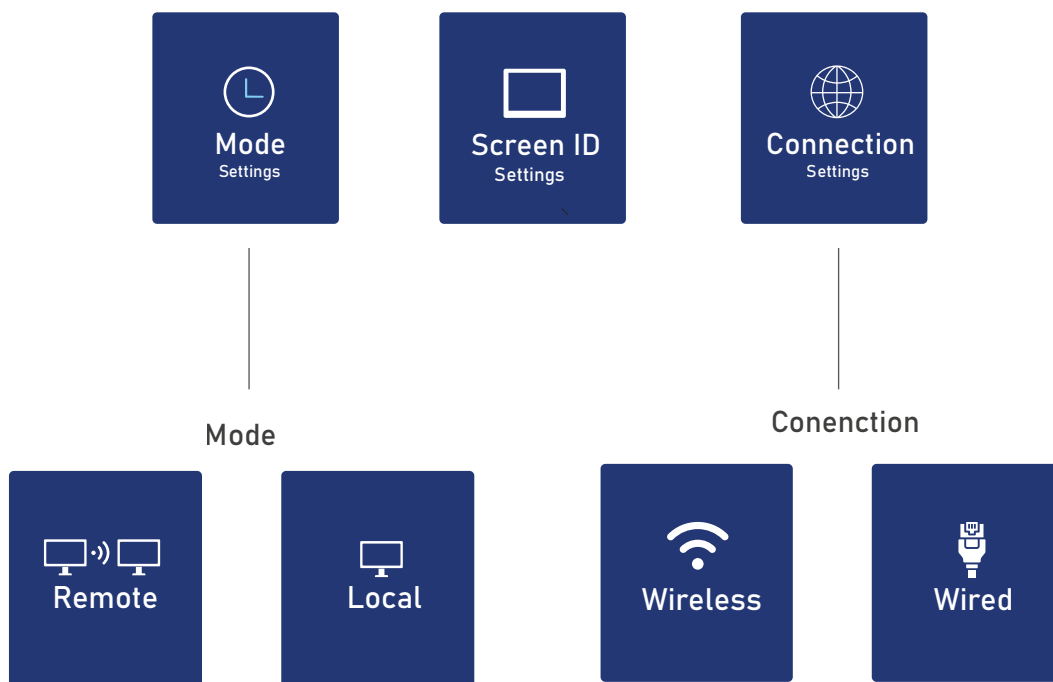
# Application

■ 5" Touch screen Timer & Clock



- Speak - Green: 80% of the entire speech
- Sum-up - Orange: The speaker is reminded to end
- End - Red: To remind the speaker to stop talking

## Settings



## ■ HDMI Cable Retractor

Designed for seamless integration with digital podium speaker panels, this innovative solution ensures tidy cable management, quick setup, and a professional look.

1 Cable Management

2 Ease of Use

3 Aesthetics



### Cable Management:

Reduced Clutter: Retractors keep cables neatly organized and prevent them from tangling or cluttering the podium area.



### Ease of Use:

Convenient Deployment: Retractors allow for easy deployment and retraction of cables. Users can extend the necessary cables when needed and retract them back into the podium when not in use, reducing the risk of damage or tripping hazards.



### Enhanced Durability:

Protection from Damage: The retractable mechanism helps protect cables from wear and tear, potential damage, or accidental disconnection. This extends the lifespan of the cables and ensures reliable connections.



### Aesthetics:

Sleek Design: A podium with integrated cable retractors has a cleaner and more modern appearance. The sleek design contributes to a professional and organized presentation environment.



### User Safety:

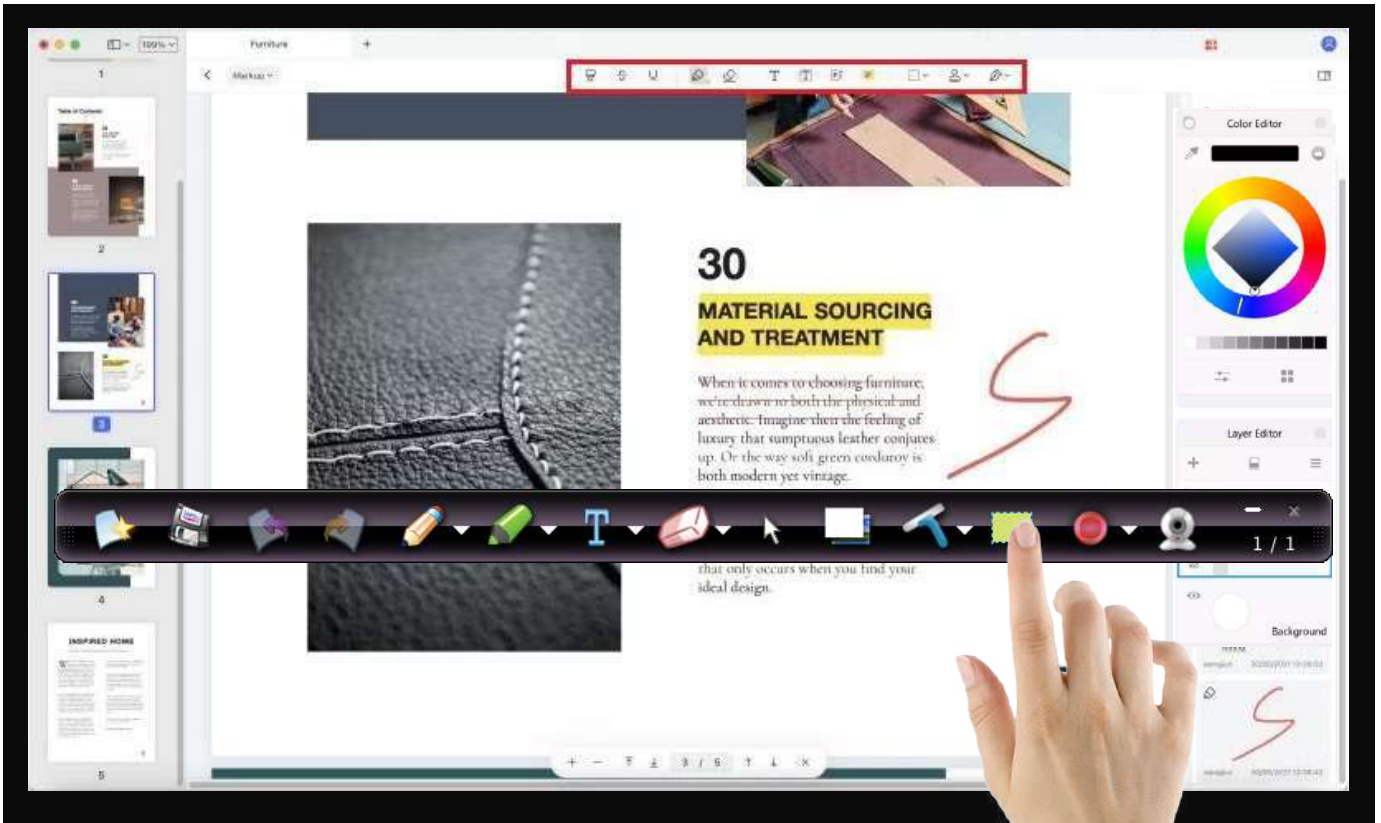
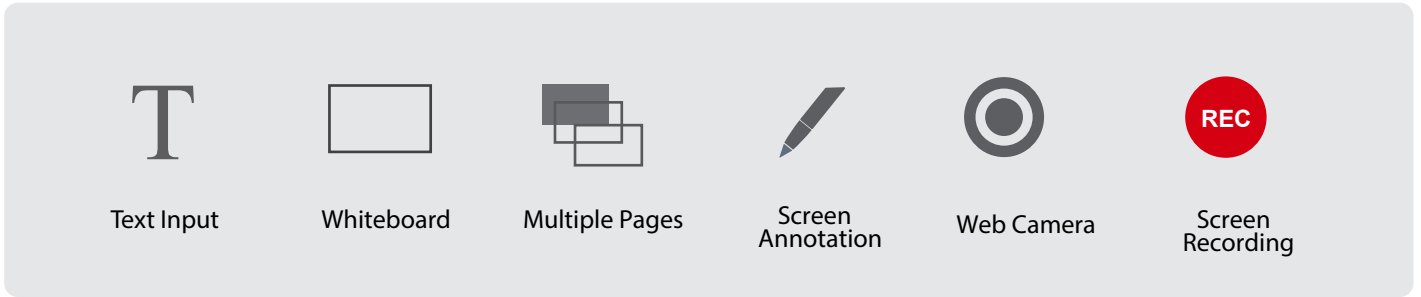
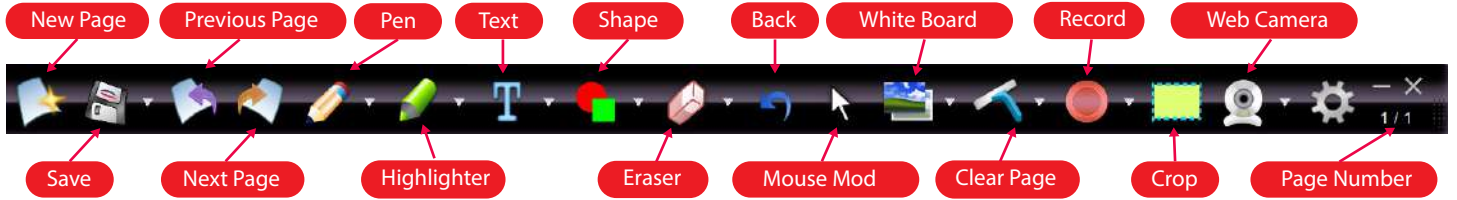
Reduced Tripping Hazards: By keeping cables neatly retracted when not in use, the chances of trip hazards are minimized. This is particularly important in spaces where multiple people may be moving around the podium.

# Application

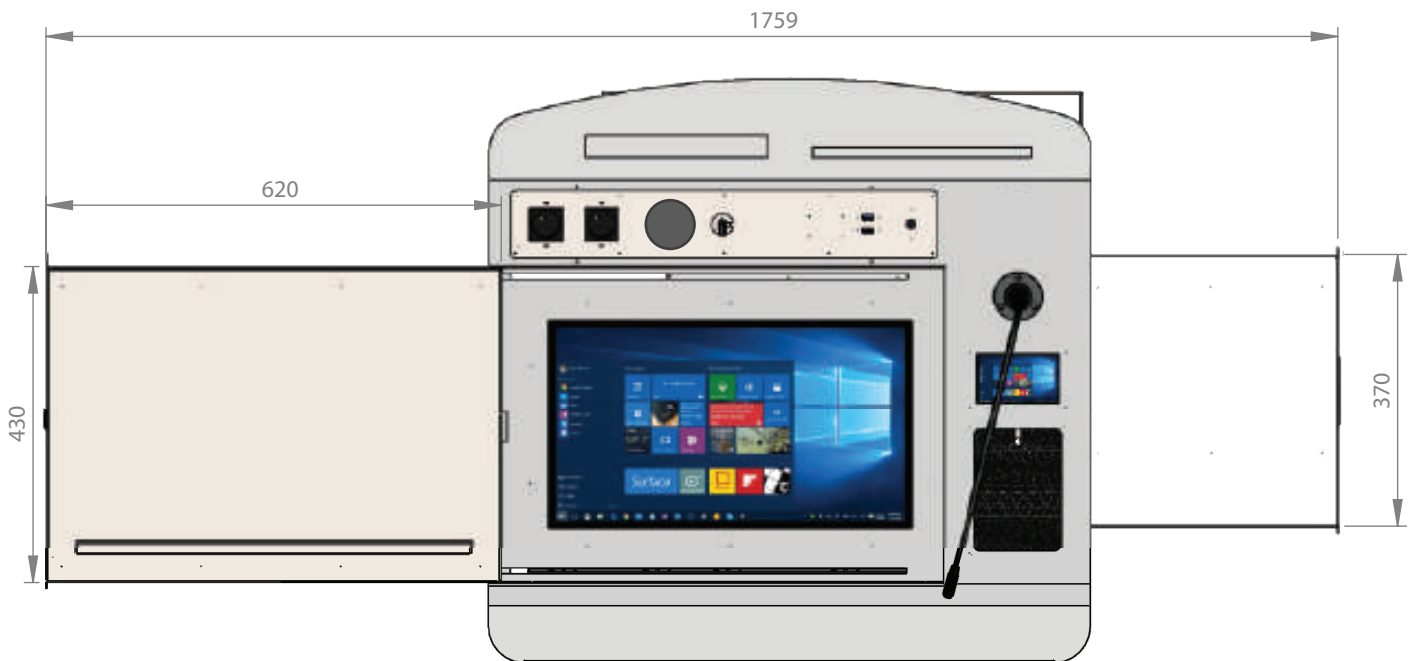
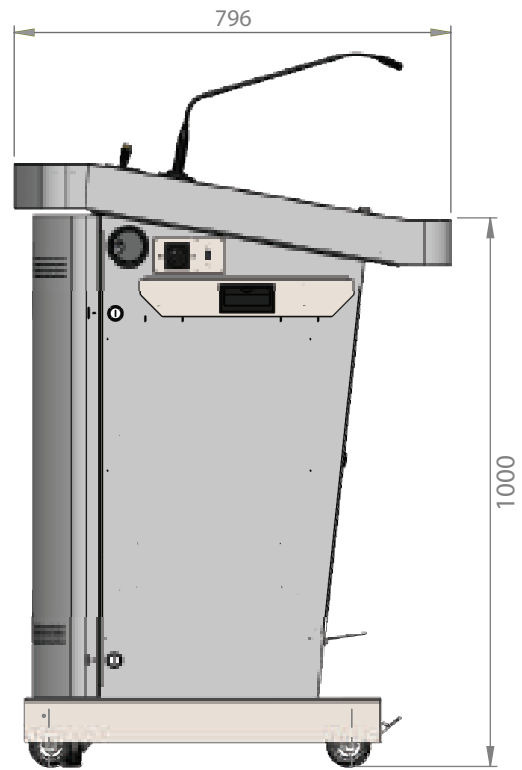
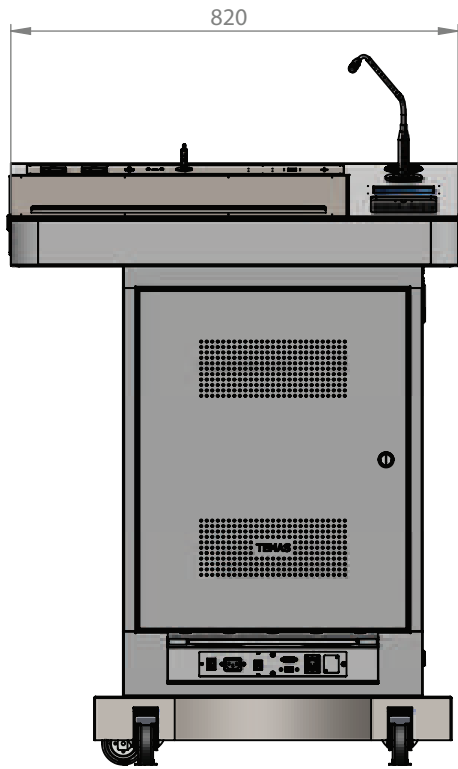
## ■ Creapen Software

### Screen Annotation & Screen Recording Solution for Presentations

CreaPen is an extremely simple yet powerful screen annotation and recording software. You can easily write on top of any other application that is currently active on the desktop, even on a running video. You can then save your annotations as an image file or even record the whole session as a video for sharing. It is a useful tool for presenters to communicate and share ideas during a live session, for educators to create effective video tutorials and for salespeople to create impressive video presentations.



# MECHANICAL SPECIFICATIONS



## ■ Technical specifications

	ML22T
<b>■ Lecturer Panel</b>	<b>22"</b>
Screen	
Resolution	1920x1080
Brightness	250 cd/m2
Aspect Ratio	16:9
Number of Touch Point	10 Points Capacitive
<b>Lecturer Panel PC</b>	
CPU	Intel 4,10 GHz
RAM	4 GB
HDD	120 GB SSD
Operation System	Windows 11 Pro
<b>■ Microphone</b>	
Length	18"
No of Microphone	1 pcs
Output Connector	3-way XLR(Male)
Microphone Type	Cardioid
Frequency Response	50 - 18 kHz
Power ON Indicator	LED
Power Requirement	Phantom Power (48V)
<b>■ Outputs (Bottom of Podium)</b>	
HDMI	Available (Projector Out)
Ethernet	Network Connection
XLR for Microphone	3-way XLR(Male)
USB	USB 2.0 (for internal PC)
<b>■ Inputs</b>	
HDMI	Available (On desk for Laptop)
Type-C	Available (On desk for Laptop)
Wireless Mobile Phone Charger	Available with USB and Type-C port
Ethernet	Available (On desk for Laptop)
230V Plug (Mx 6A)	Available (On desk for Laptop)
USB	USB 2.0 and USB 3.0
<b>■ Mechanical Specs</b>	
Outline Dimension(mm)Set	754 x 810 x 1049
Outline Dimension(mm)Package	850 x 950 x 1300
Weight(kg)	Set: 101 kg Package: 153 kg



Temas Technology Co., Ltd.  
Serifali Mahallesi, Kible Sokak, No: 29 34775  
Yukarı Dudullu / Umraniye / Istanbul / Turkiye  
Tel +90 216 314 54 54 - Fax +90 216 394 44 98  
info@temasteknoloji.com.tr - www.temasteknoloji.com.tr